

# Clariflex®



## BOOSTER CABLES

MODEL NO: CBCSP480, CBCSP350, CBCSP220

PART NO: 7631170, 7631165, 7631160

## OPERATION & MAINTENANCE INSTRUCTIONS



ORIGINAL INSTRUCTIONS

LS1017 - iss 2

---

# INTRODUCTION

---

Thank you for purchasing these Clarke Booster Cables.

Before using this product, please read and follow the instruction in this manual thoroughly.

---

## SPECIFICATIONS

---

MODEL	CBCSP480	CBCSP350	CBCSP220
ENGINE CAPACITY @ 12v			
PETROL	7.0 ltr	5.5 ltr	2.5 ltr
DIESEL	4.0 ltr	3.0 ltr	-
LENGTH (METRES)	4.5 m	3.5m	3 m
CABLE SIZE	38 mm <sup>2</sup>	29 mm <sup>2</sup>	18 mm <sup>2</sup>
CHARGE (VOLTS)	12V or 24V	12V or 24V	12V or 24V
MAX BOOST (AMPS)	480A	350A	220A

---

## SAFETY PRECAUTIONS

---

- ALWAYS handle batteries with extreme caution. Lead acid batteries contain sulphuric acid, avoid contact with eyes, skin and clothes etc.
- ALWAYS consult car owner manuals before attempting any connection of booster cables.
- ALWAYS wear protective clothing, safety goggles and gloves.
- NEVER smoke or use naked flames near batteries, if the vent caps are removed.
- NEVER attempt to jump start batteries of different voltages, only ever jump start batteries of same voltage, e.g. 6v-6v, 12v-12v and 24v-24v

### NON-SEALED BATTERIES SPECIFIC SAFETY PRECAUTIONS

- If liquid level is low (non sealed batteries), top up with distilled water to correct level. If liquid level is not visible or appears frozen, DO NOT attempt to jump start.
- ALWAYS remove vent caps and check the liquid level before jump starting.

### SURGE PROTECTION

This feature protects the cables when the voltage exceeds its rated voltage.

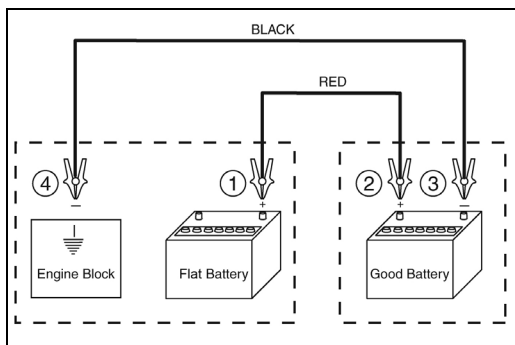
- If the normal voltage is exceeded, the surge protection will absorb excess energy automatically and then reset (up to 100,000 times).
- If the device is subjected to a significant overload (e.g. lightning strike), the surge protection will fail safe to protect electrical equipment.

# OPERATING INSTRUCTIONS



**WARNING: IMPROPER CONNECTION OF BOOSTER CABLES TO START A VEHICLE PRESENTS A POSSIBLE EXPLOSION HAZARD, ALWAYS CHECK AND DOUBLE CHECK BEFORE STARTING.**

1. Connect the red cable to the positive, (+) post of the flat battery., then carefully connect the other end to the positive, (+) post of the good battery, taking care not to ground the clamp while doing so.
2. Connect the black cable to the negative, (-) post of the good battery, then carefully connect the other end to the engine block, as far as possible away from the battery.



3. When connected correctly the LED on the positive cable will light up.
4. Start the car with the good battery and allow it to tick over, wait a couple of minutes, then attempt to start the car with the flat battery.

**NOTE:** DO NOT crank the engine for longer than 10-15 seconds, if the car does not start almost immediately, wait for one minute and try again, if the car still fails to start the problem will need to be located and rectified before trying again. Switch off engine of car with good battery and remove the cables in reverse order.

5. After starting the engine of the car with the flat battery, keep both engines running, remove the negative, (-) cable from the engine block, then remove other end from the negative, (-) post of the good battery, remove the positive, (+) cable from the positive, (+) post of the good battery, then remove the other end from the positive, (+) post of the flat battery.
6. Store booster cables away safely.

## ENVIRONMENTAL RECYCLING POLICY



Through purchase of this product, the customer is taking on the obligation to deal with the Waste Electrical and Electronic Equipment (**WEEE**) in accordance with the WEEE regulations

In effect, this means that this product must not be disposed of with general household waste. It must be disposed at a recognised disposal facility.

## A SELECTION FROM THE VAST RANGE OF

# Clarke®

## QUALITY PRODUCTS



**AIR COMPRESSORS**  
From DIY to industrial, Plus air tools, spray guns and accessories.

**GENERATORS**  
Prime duty or emergency standby for business, home and leisure.

**POWER WASHERS**  
Hot and cold, electric and engine driven - we have what you need

**WELDERS**  
Mig, Arc, Tig and Spot.  
From DIY to auto/industrial.

**METALWORKING**  
Drills, grinders and saws for DIY and professional use.

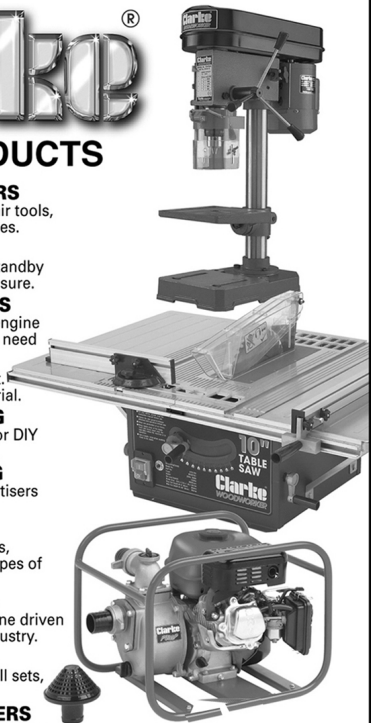
**WOODWORKING**  
Saws, sanders, lathes, mortisers and dust extraction.

**HYDRAULICS**  
Cranes, body repair kits, transmission jacks for all types of workshop use.

**WATER PUMPS**  
Submersible, electric and engine driven for DIY, agriculture and industry.

**POWER TOOLS**  
Angle grinders, cordless drill sets, saws and sanders.

**STARTERS/CHARGERS**  
All sizes for car and commercial use.



This product is guaranteed against faulty manufacture for a period of 12 months from the date of purchase. Please keep your receipt which will be required as proof of purchase.

This guarantee is invalid if the product is found to have been abused or tampered with in any way, or not used for the purpose for which it was intended. Faulty goods should be returned to their place of purchase, no product can be returned without prior permission.

This guarantee does not affect you statutory rights.

**PARTS & SERVICE: 020 8988 7400**

E-mail: [Parts@clarkeinternational.com](mailto:Parts@clarkeinternational.com) or [Service@clarkeinternational.com](mailto:Service@clarkeinternational.com)

**SALES: UK 01992 565333 or Export 00 44 (0)1992 565335**

**Clarke® INTERNATIONAL** Hemnall Street, Epping, Essex CM16 4LG  
[www.clarkeinternational.com](http://www.clarkeinternational.com)